

# Double Oven, 60cm, 4 Function

Series 5 | Contemporary

Stainless Steel

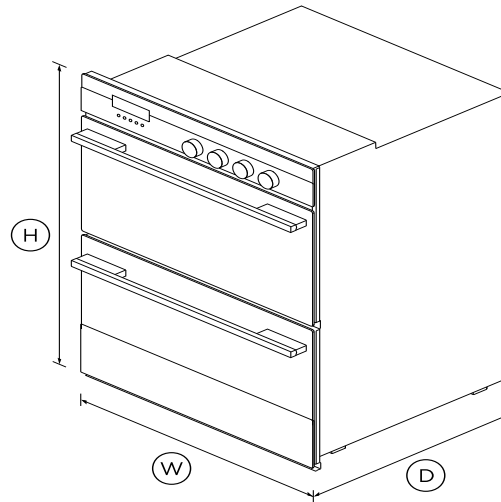


Perfect for smaller kitchens thanks to a more compact height, you'll still have plenty of room across your two independent ovens.

- 42L + 62L total capacity across two ovens
- Four oven functions, including Defrost

## DIMENSIONS

Height	718 mm
Width	595 mm
Depth	564 mm



## FEATURES & BENEFITS

### Cooking flexibility

This built-in oven has four functions with pre-set temperatures, including Bake, Fan Forced and Fan Grill, allowing you to use a variety of cooking styles.

### Sized to suit

This built-in oven provides a generous 62L + 42L of total capacity across two cavities providing enough space for a large family roast with room to spare.

### Easy cleaning

This built-in oven has catalytic liners that break down oil and fat splashes during cooking so you don't have to spend hours cleaning.

### Safe and sound

The CoolTouch door with triple glazing and cooling system is safe to touch from the outside, protecting your hands and the surrounding cabinetry.

### Accessories

This built-in oven comes with a number of handy accessories including a fat filter, grill pan and a grill rack.

### Complementary design

With their premium handle styling and stainless steel finish, our built-in ovens are designed to match the rest of Fisher & Paykel's kitchen appliance family.

## SPECIFICATIONS

### Accessories

Catalytic panels	Sides and rear
Flat wire shelf	2
Grill rack	2
Step down wire shelf	1
Telescopic sliding runners	•

### Capacity

Shelf positions	4 (top oven) 4 (bottom oven)
Total capacity	42L + 62L
Usable capacity	36L + 51L

### Cleaning

Acid resistant graphite enamel	•
--------------------------------	---

Removable oven door	•
Removable oven door inner	•
Removable shelf runners	•
Self-cleaning catalytic liners	<b>Sides and rear (bottom oven)</b>

---

#### Consumption

Energy rating	<b>A, A</b>
---------------	-------------

---

#### Controls

Automatic cooking/minute	•
Electronic clock	•

---

#### Functions

Bake	•
Defrost	•
Fan forced	•
Fan grill	•
Number of functions	<b>3 per oven + light</b>
Slow cook	•

---

#### Performance

Grill power	<b>2000W (both ovens)</b>
-------------	---------------------------

---

#### Power requirements

Amperage	<b>17.65A</b>
----------	---------------

---

#### Product dimensions

Depth	<b>564 mm</b>
Height	<b>718 mm</b>
Width	<b>595 mm</b>

---

#### Safety

CoolTouch door	•
Non-tip shelves	•

---

#### Warranty

Parts and labour	<b>5 years</b>
------------------	----------------

---

SKU	81954
-----	-------

---

TEST The product dimensions and specifications in this page apply to the specific product and model. Under our policy of continuous improvement, these dimensions and specifications may change at any time. You should therefore check with Fisher & Paykel's Customer Care Centre to ensure this page correctly describes the model currently available. © Fisher & Paykel Appliances Ltd 2020

---

#### Other product downloads available at fisherpaykel.com

- [↓](#) User Guide
- [↓](#) Service & Warranty Booklet
- [↓](#) Installation Guide



#### A PEACE OF MIND SALE

**24 Hours 7 Days a Week Customer Support**

**T 08000 886 605 Wwww.fisherpaykel.com**