

**SPECIAL EDITION**

## 4N1 Filtered Cold & Steaming Hot Water Tap



Filtered cold & steaming hot water, plus regular hot & cold water



Our most advanced tap ever. The 4N1 Touch dispenses steaming hot water for instant hot drinks and helping with countless kitchen tasks. Its innovative illuminated touch button control also gives you instant filtered drinking water. Perfect for reducing the need for bottled water or cumbersome water jugs.

### FEATURES

- Filtered cold water
- Instant filtered steaming hot water
- Innovative, illuminated touch button control
- Swivel spout
- Premium contemporary Italian design
- Efficient use of space and time
- Easy to install
- Available in polished chrome, brushed steel and velvet black finishes
- 5 year tap guarantee and 2 year tank guarantee
- Safe, multi-step hot water handle



**Safe**

All of our steaming hot water taps are protected by a push lock safety lever.

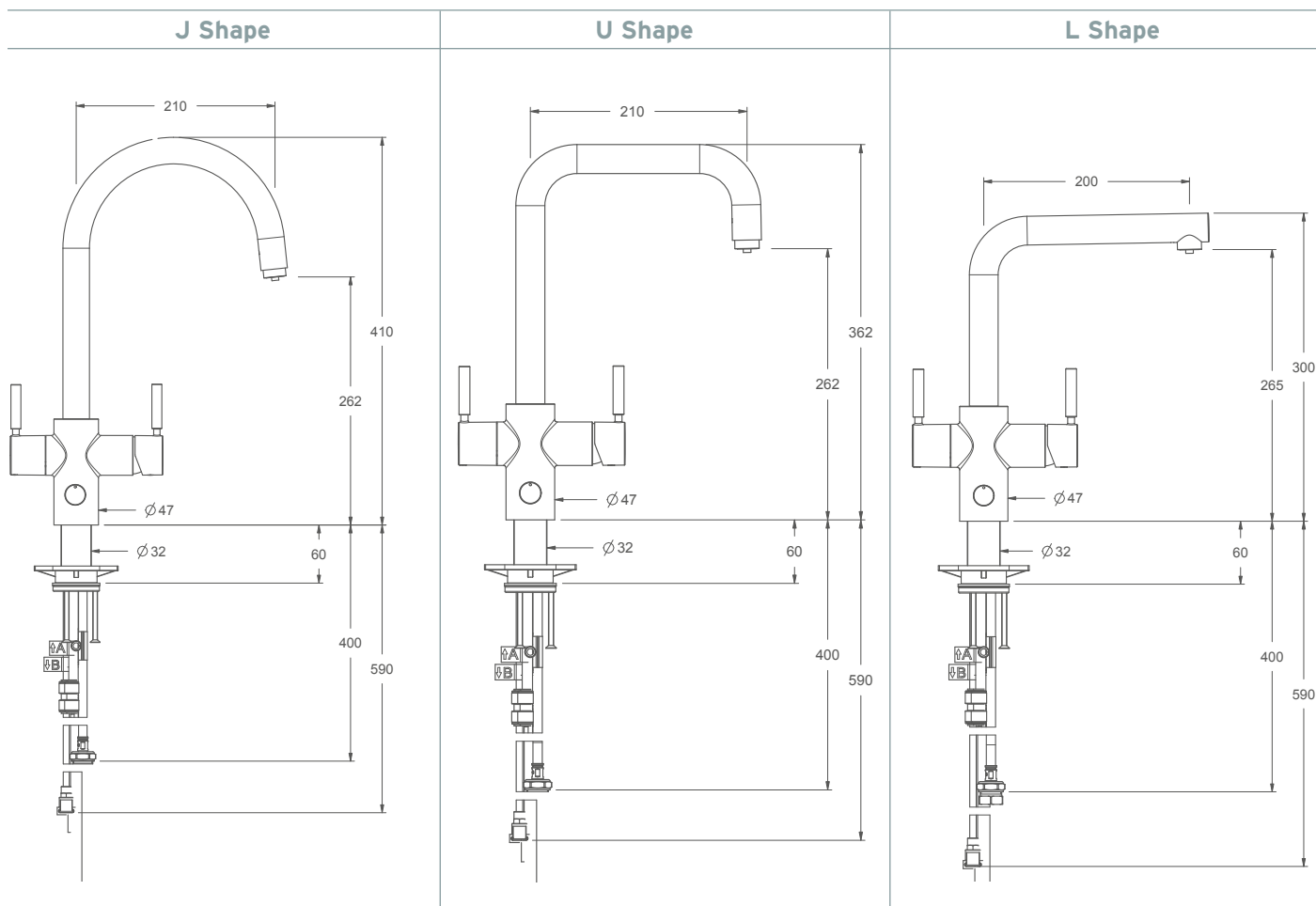


**Energy efficient**

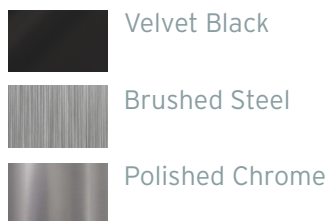
An InSinkErator® steaming hot water tap uses less energy than a 40-watt light bulb.



**DIMENSIONS (mm)**



**AVAILABLE IN  
THREE FINISHES**



**SPECIFICATIONS**

- Solid, high-quality low lead brass
- Complete installation kit for solid surface mount
- Capacity: 2.5 litre stainless steel tank
- Neotank® features a digital adjustable dial that allows you to set you water temperature in tank between 88°C and 99°C
- Required hole diameter: 35-38mm
- Required supply pressure (cold): 172-862 kPa (1.7-8.6 bar) (25-125 psi)
- Required supply pressure (hot): 50xPa (0.5 bar) (7 psi)



InSinkErator. Suite 10, Building 6, Hatters Lane, Croxley Park, Watford, Herts WD18 8YH. United Kingdom

Sales tel: 01923 297 880  
Service tel: 0800 389 3715  
insinkerator.co.uk

