

PRODUCT SPEC SHEET



DESIGNED & MADE IN ITALY

NeoChiller

SHOWROOM
COLLECTION



Enjoy cool, pure drinking water without the fuss.

NeoChiller is a compact filter and chiller unit that fits neatly beneath your worktop and connects to several of our taps. It filters water from the mains supply, removing impurities to ensure a fresh, pure taste. And it cools the water to the perfect drinking temperature, straight from the tap.

With NeoChiller there's no messing around with filter jugs, no lugging bottles of water home from the shops and no plastic waste. It's better for you, and better for the environment.

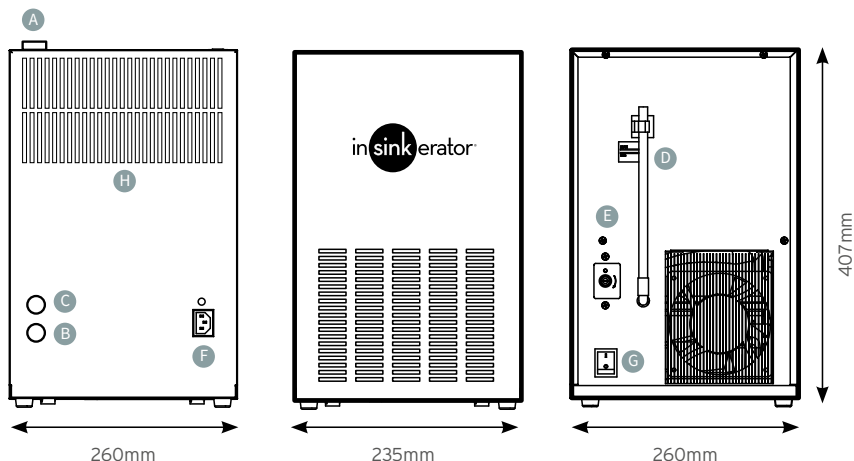
FEATURES

- Small, compact domestic chiller unit
- Designed for easy installation under the kitchen sink
- Dispenses up to 7 litres per hour of cold, still water between 3°C and 10°C
- Filtered to remove impurities and odours, without affecting the water's natural mineral content
- CE approved
- Ice-bank cooling technology for optimum performance
- Compatible with the InSinkErator® 4N1 Touch, HC1100, C1100, FHC3010 and FHC3020 models



NeoChiller

Dimensions



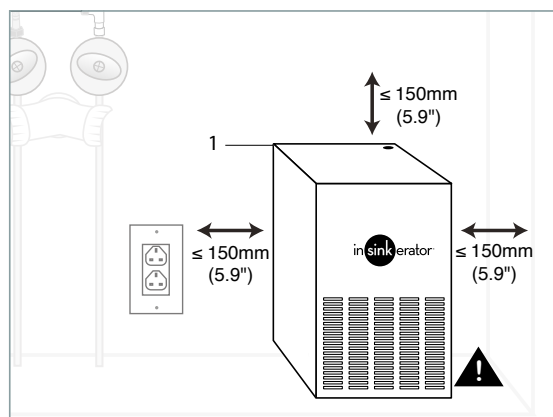
Unit overview

- A. Cold water outlet
- B. Cold water inlet
- C. Ice bank fill
- D. Level pipe of ice bank
- E. Thermostat
- F. IEC connector for power cord
- G. On/off switch
- H. Fan grilles

Regional variants

050375023814	CWT150-1, UK Chiller 230/50	45528-ISE
050375023821	CWT150-2, EU Chiller 230/50	45528A-ISE

Placement guide



Specifications

Model CWT150	Rated input 155W
Cooling performance	7L/hr 3L continuously
Dispensed cold water temperature	3-10°C with 20°C incoming water and 25°C room temperature
Dispensing	40 sec/L
Condensation	Ventilated blowing
Thermostat	Mechanical
Compressor	1/12HP
Ice bank	2L capacity, 1kg of ice
Inlets/outlets	Water inlet Ø6.35mm (or 1/4"), water outlets Ø6.35mm (or 1/4")
Filter	Not included.
Max quantity for pallet	18
Pallet dimensions	WxDxH 120x80x160cm



The maximum pressure of water entering the NeoChiller must not be more than 3 Bar/43.5psi.



InSinkErator®. Suite 10, Building 6, Hatters Lane, Croxley Park, Watford, Herts WD18 8YH. United Kingdom

Sales tel: 01923 297 880
Service tel: 0800 389 3715
insinkerator.co.uk

InSinkErator® may make improvements and/or changes in the specifications at any time, in its sole discretion, without notice or obligation and further reserves the right to change or discontinue models. © 2020 InSinkErator®, InSinkErator® is a business unit of Emerson Electric Co. All Rights Reserved.

