

TWEET

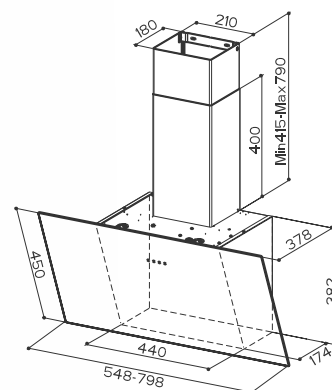


Brand new in
the Faber range;
powerful and
great value.

Black Glass



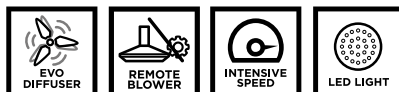
White Glass





TWEET

TWEET EG8 LED BK A80 cod. 330.0572.389
TWEET EG8 LED WH A80 cod. 330.0572.390

TWEET EG8 LED BK A55 cod. 330.0572.387
TWEET EG8 LED WH A55 cod. 330.0572.388



(optional)

FEATURES	PERFORMANCES	ACCESSORIES
Finish • Black glass • White glass	Speed 1 2 3 INT Air capacity IEC point 310 480 620 700 Pressure 380 465 490 510 Input 135 170 215 250 Noise level 52 61 67 70	Cod. 112.0158.127 FHP8 Charcoal filter High Performance Cod. 112.0185.278 FLL8 Charcoal filter Long Lasting Cod. 112.0327.007 ENERGY Remote blower kit
Controls Touch control	INSTALLATION REQUIREMENTS	
Lighting 2 LED lights	Max Load 252W Max Width of Hob 55/80cm	
Greas filter Cassettes dishwasher safe	Min Height	
Ø of air outlet 150 / 120 mm	 45cm above a Gas Hob	 45cm above an Electric Hob
Width 800 mm / 550 mm		
Energy class C		