

Product Finish: Stainless Steel

Product code: AT2177
EAN13 barcode: 5060879990166



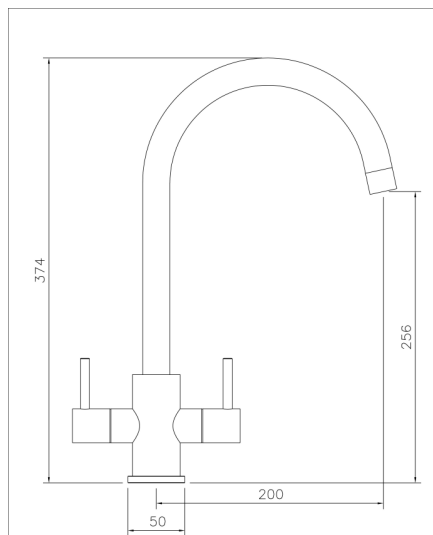
Product features:

- 304 grade brushed stainless steel construction
- Quarter turn handle action for precise flow control
- Supplied complete with flexible tail pipes for fast simple fitting
- Modern minimalism with flair
- Antisplash spout supplied as standard

Additional information / Parts included:

Note: the image shown may not reflect the product finish, chrome finish is typically depicted.

Product dimensions:



FOCAL MONOBLOC

abode

(c) abode home products ltd
we do not warrant the
product to be continuously
improved and therefore products
may vary slightly from the image
and specifications. We warrant the
right to supply specific and the
right to withdraw from market.

- Overall Height / projection: 374 mm
- Exit reach: 200 mm
- Exit height: 256 mm
- Centre distance(s):

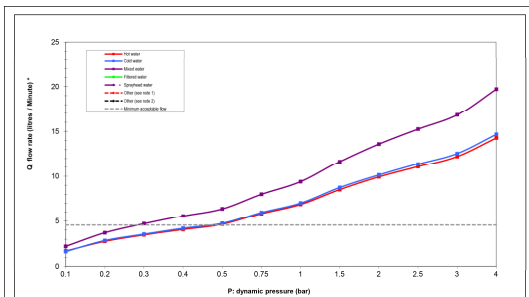
- Base diameter(s): 50 mm
- Recommended hole diameter: Ø 35 mm
- Max. surface depth: 50 mm

- Spout diameter: 24 mm
- Spout aerator size: M22 Female

Packaged properties:

- Box length: 460mm
- Box depth: 60mm
- Box width: 290mm
- Units per outer: 5
- Tap only weight: 1.54kg
- Boxed weight: 2.80kg

Product flow characteristics:



- Min / Max water pressure: 0.30 / 5.5 bar
- Recommended / Max water temperature: 46°C / 70°C
- Part G - Mixed flow rate at 3 bar (litres / min): 16.84

- Control valve type: Ceramic disc QT
- Product flow characteristics: Single flow
- Non return valve(s): None

- Aerator type: Neoperl Honeycomb
- Accepts revolve / spray areator: No
- Spout connection method: Grub screw

- Tail pipe inlet / outlet size: M10 / 1/2" BSP Female
- Inlet pipe type / length: Flexible stainless braided hose / 600 mm

Care instructions summary:

- Clean the mixers and showers regularly as required, using soap, do not use any other cleaners.
- Regular cleaning will prevent the build-up of lime scale and dirt
- After cleaning rinse thoroughly with clean water to remove any cleaner residue
- Residues of sink & worktop cleaners can also cause damage, so rinse with clean water after using, avoid contact with any abrasives

Warranty Summary (Full details available on request):

- Materials and workmanship defects warranted for 5 years
- Valves and working parts warranted for 5 years
- Surface warranty defects warranted for 1 year
- O-rings, hoses & gaskets warranted for 1 year