



Zip HydroTap Arc All-in-One

FILTERED: BOILING CHILLED SPARKLING
UNFILTERED: HOT & COLD

The world's most advanced drinking water system, the HydroTap All-in-One Arc delivers a choice of instant filtered boiling, chilled and sparkling water with unfiltered hot and cold water for washing up. From a single tap and under counter command centre, the All-in-One Arc dispenses only the purest tasting water, filtered to a market-leading 0.2 micron - 25 times more effective than a standard water filter jug. To prioritise family safety at home, the HydroTap doesn't splash or spit when dispensing water, and features two boiling water safety modes and a cool to touch tap. What's more, the HydroTap All-in-One Arc features superior technology to conserve water while saving energy and time.



Actual product may vary slightly depending on functionality.
The image shown is a representation only.

STANDARD



PLATINUM



MODEL	MIXED HOT AND COLD	FILTRATION 0.2 MICRON	FONT	CO ₂	NOMINAL POWER RATING KW	COMMAND CENTRE DIMENSIONS W X D X H
H57783Z07UK	Y	Y	N	Y	1.7 kW @ 230V AC	339mm x 483mm x 333mm

For details of the alternative tap finishes and accessories please see the 'Accessories' section

Features and benefits

Advanced filtration

Maintains existing protective levels of chlorine whilst removing sediment and cysts. This level of filtration includes the removal of dirt, lead, microplastics & 99.9% of microbiological cysts.

Environmentally conscious operation

The HydroTap boasts a range of eco-friendly functionalities, including water conserving air cooling technology, the use of zero-impact refrigerant gas R290 and energy saving sleep modes.

Unique user-safety options

The Zip HydroTap is designed with safety in mind, with boiling isolation, cool touch tap and safety lock features. The boiling point is factory set to 98 degrees celsius, to avoid spluttering steam.

Enhanced hygiene

The 5th generation HydroTap command centre has SteriTouch[®] embedded throughout the water path. This reduces surface bacteria by 99.99% providing extra protection.

Five year warranty

This system is covered by a comprehensive full parts and labour warranty for 36 months, with an additional 24 months boiling tank cover.



Product detail

Specification type

Product code	H57783Z07UK
Product name	HydroTap G5 All-in-One Arc boiling chilled sparkling brushed gold for home

Capacity, weights & dimensions

Water functions	Boiling, Chilled, Sparkling
Unit dimension (W x D x H)	339mm x 483mm x 333mm
Product weight - empty / full	30kg / 35kg

Plumbing

Wholesome water inlet supply required	Hot & Cold Feed
Supply pressure range	2.5bar - 5bar
Supply connection (hot & cold)	1 x isolated 1/2" BSP BSP fitting (flexible supply hoses included)
Installation	Must comply with current water supply regulations

The minimum water pressure will vary if a limescale filter is installed. Please contact us to discuss your requirements.

Suitable drainage to trapped waste within 1 metre required for both on font and sink installations.

Electrical

Command centre power rating	1.7 kW @ 230V AC
Voltage supply	13 amp amps
Power supply requirements	1 x 13amp socket outlet
Cable length	1.8m fitted with UK standard 3-pin plug
Installation	Must comply with current IEE regulations

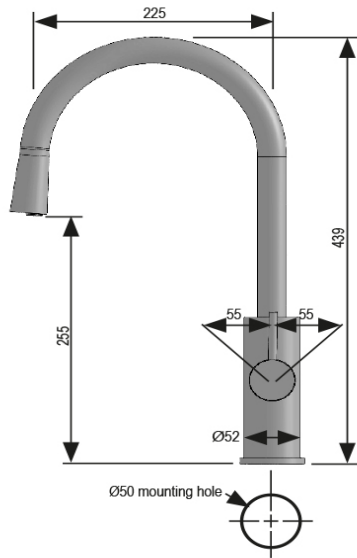
Tap design

Style	HydroTap Arc All-in-One
Finish	Brushed Gold
Installation hole cut size	50mm
Rotation	180 degree
Disability options	No
Country of Origin	Australia

Command centre

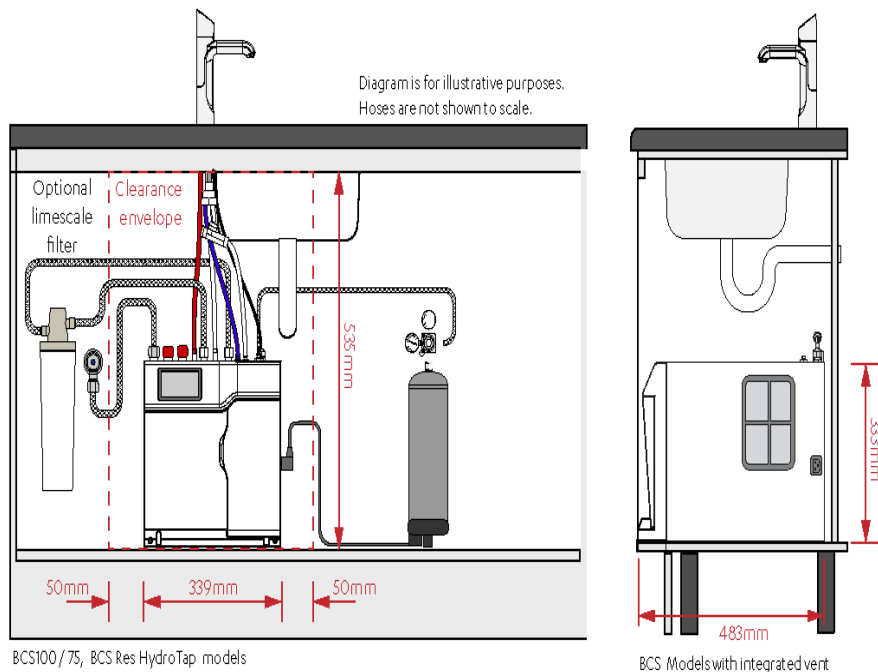
Factory temperature boiling	98°C
Factory temperature chilled	3-5°C
Filtration	0.2 Micron Filter Cartridge
Flow rate (Boiling)	4 l/min
Wholesome water supply requirements	Hot & Cold Feed
Refrigerant	R290
Tank material	PPS
Country of origin	Australia

Tap installation





Under-counter unit installation

Clearance space required
for under counter unit



Accessories

Visit specify.zipwater.co.uk to find out more information about Zip HydroTap Arc All-in-One Accessories

Image	SKU	Title
	91295	CO2 Replacement cylinders 2 x 1.2kg
	FL170 KIT	Limescale prevention filter kit for home 1,700 litres
