



Zip HydroTap

Arc Plus

FILTERED: BOILING CHILLED

Make life in the kitchen a whole lot easier with the HydroTap Arc Plus, offering you instant filtered boiling and chilled water from one beautifully designed tap and under counter command centre. Featuring our market-leading 0.2 micron MicroPurity filtration technology, the Arc offers 25 times more effective filtration than a standard water filter jug - making it the best of any instant filtered water tap in the world. For those with small children, the Arc is designed to be completely safe and easy to use, with boiling water safety locks and cool touch technology. What's more, the HydroTap features superior technology to conserve water while saving energy and time.



Actual product may vary slightly depending on functionality. The image shown is a representation only.

STANDARD



PLATINUM



MODEL	MIXED HOT AND COLD	FILTRATION 0.2 MICRON	FONT	CO ₂	NOMINAL POWER RATING KW	COMMAND CENTRE DIMENSIONS W X D X H
H5L784Z00UK	N	Y	Y	N	1.55 kW @ 230V AC	280mm x 478mm x 333mm

For details of the alternative tap finishes and accessories please see the 'Accessories' section

Features and benefits

Advanced filtration

Maintains existing protective levels of chlorine whilst removing sediment and cysts. This level of filtration includes the removal of dirt, lead, microplastics & 99.9% of microbiological cysts.

Environmentally conscious operation

The HydroTap boasts a range of eco-friendly functionalities, including water conserving air cooling technology, the use of zero-impact refrigerant gas R290 and energy saving sleep modes.

Unique user-safety options

The Zip HydroTap is designed with safety in mind, with boiling isolation, cool touch tap and safety lock features. The boiling point is factory set to 98 degrees celsius, to avoid spluttering steam.

Enhanced hygiene

The 5th generation HydroTap command centre has SteriTouch[®] embedded throughout the water path. This reduces surface bacteria by 99.99% providing extra protection.

Five year warranty

This system is covered by a comprehensive full parts and labour warranty for 36 months, with an additional 24 months boiling tank cover.

Product detail

Specification type

Product code	H5L784Z00UK
Product name	HydroTap G5 Arc Plus boiling chilled bright chrome for home

Capacity, weights & dimensions

Water functions	Boiling, Chilled
Unit dimension (W x D x H)	280mm x 478mm x 333mm
Product weight - empty / full	21kg / 26kg

Plumbing

Wholesome water inlet supply required	Cold Feed
Supply pressure range	1.7bar - 5bar
Supply connection (hot & cold)	1 x isolated 1/2" BSP BSP fitting (flexible supply hoses included)
Installation	Must comply with current water supply regulations

The minimum water pressure will vary if a limescale filter is installed. Please contact us to discuss your requirements.

Suitable drainage to trapped waste within 1 metre required for both on font and sink installations.

Electrical

Command centre power rating	1.55 kW @ 230V AC
Voltage supply	13 amp amps
Power supply requirements	1 x 13amp socket outlet
Cable length	1.8m fitted with UK standard 3-pin plug
Installation	Must comply with current IEE regulations

Tap design

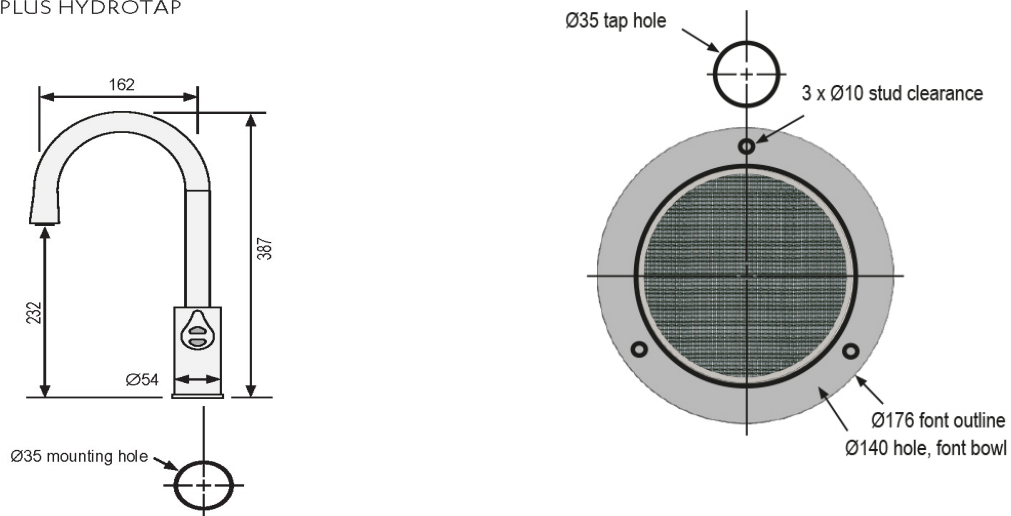
Style	HydroTap Arc Plus
Finish	Bright Chrome
Installation hole cut size	35mm
Rotation	Fixed
Disability options	No
Country of Origin	Australia

Command centre

Factory temperature boiling	98°C
Factory temperature chilled	6-10°C
Filtration	0.2 Micron Filter Cartridge
Flow rate (Boiling)	4 l/min
Wholesome water supply requirements	Cold Feed
Refrigerant	R290
Tank material	PPS
Country of origin	Australia

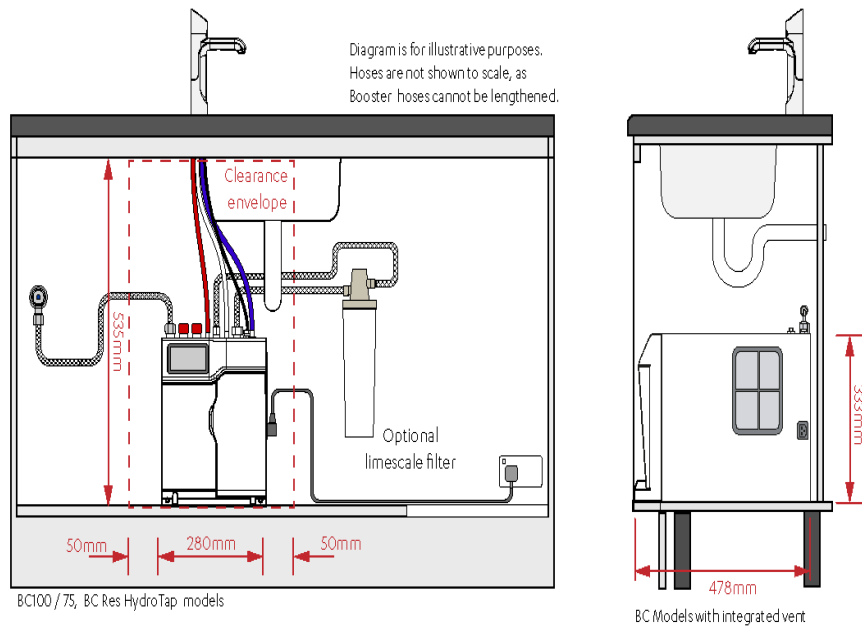
Tap installation

ARC PLUS HYDROTAP





Under-counter unit installation

Clearance space required
for under counter unit



Accessories

Visit specify.zipwater.co.uk to find out more information about Zip HydroTap Arc Plus Accessories

Image	SKU	Title
	93441UK	Stand alone font for HydroTap Arc bright chrome
	FL170 KIT	Limescale prevention filter kit for home 1,700 litres