

iQ700, Built-in oven with steam function, 60 x 60 cm, Stainless steel HS658GXS1



- ✓ Far less oven cleaning – ecoClean Plus.
- ✓ The full steam function: making it simple to cook healthy and delicious meals
- ✓ TFT touchdisplay Plus – Touch navigation for simple and intuitive operation.
- ✓ roastingSensor Plus – Three-point thermometer for excellent roasts every time.
- ✓ cookControl Plus – Build success into your baking.

Features

Technical Data

Color / Material Front : Stainless steel
 Construction type : Built-in
 Door opening : Drop down
 Required niche size for installation (HxWxD) : 585-595 x 560-568 x 550 mm
 Dimensions : 595 x 594 x 548 mm
 Dimensions of the packed product (HxWxD) : 675 x 660 x 690 mm
 Control Panel Material : Stainless steel
 Door Material : Glass
 Net weight : 46.3 kg
 Approval certificates : CE, VDE
 Length of electrical supply cord : 120 cm
 EAN code : 4242003658321
 Fuse protection : 16 A
 Voltage : 220-240 V
 Frequency : 60; 50 Hz
 Plug type : Gardy plug w/ earthing
 Approval certificates : CE, VDE
 Number of cavities (2010/30/EC) : 1
 Usable volume (of cavity) - NEW (2010/30/EC) : 71 l
 Energy efficiency rating : A+
 Energy consumption per cycle conventional (2010/30/EC) : 0.87 kWh/cycle
 Energy consumption per cycle forced air convection (2010/30/EC) : 0.69 kWh/cycle
 Energy efficiency index (2010/30/EC) : 81.2 %

Included accessories

1 x enamel baking tray, 1 x grid, 1 x universal pan, 1 x steam container, punched, size S, 1 x steam container, punched, size XL, 1 x steam container, unpunched, size S

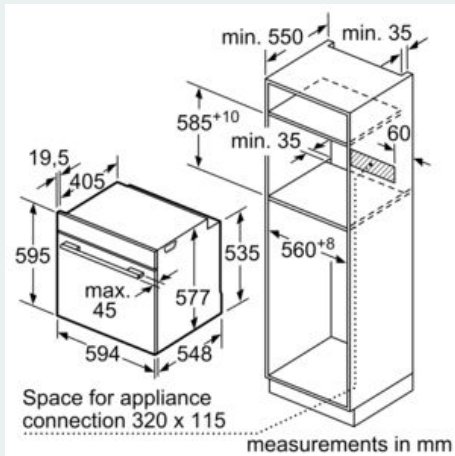
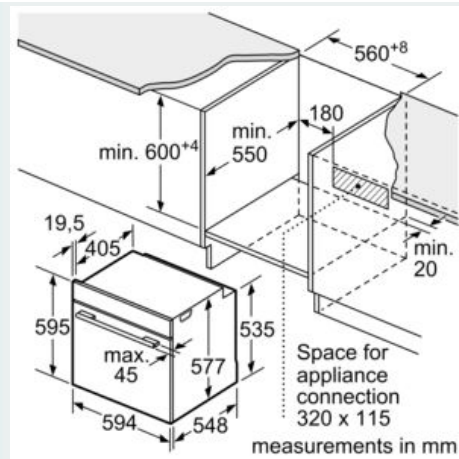
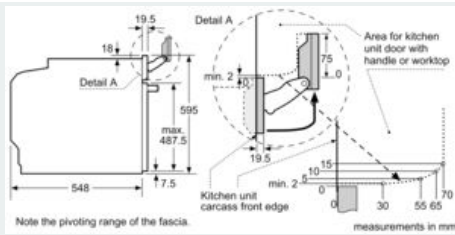
Optional accessories

HZ915003	Glass roasting dish, 5,4 L
HZ636000	Glass pan
HZ631070	Baking tray, anthracite enamelled
HZ625071	Grill tray, anthracite enamelled
HZ531010	Baking tray, non-stick ceramic coated



iQ700, Built-in oven with steam function, 60 x 60 cm, Stainless steel HS658GXS1

Dimensioned drawings



If the appliance will be installed underneath a hob, the following worktop thicknesses (including substructure if necessary) must be taken into account.

Hob type	min. worktop thickness	
	fitted	flush
Induction hob	37 mm	38 mm
Full surface Induction hob	47 mm	48 mm
Gas hob	30 mm	38 mm
Electric hob	27 mm	30 mm