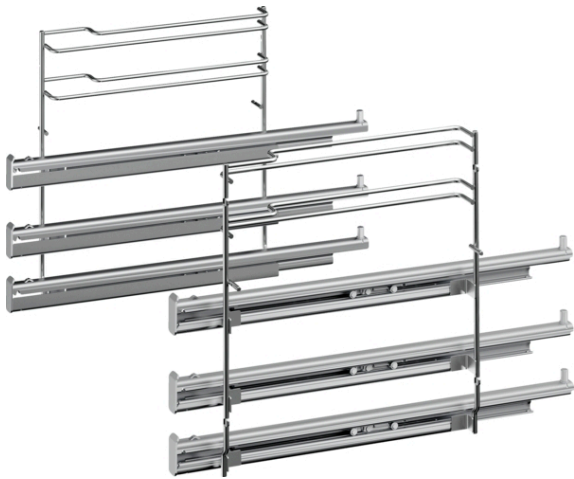


## 3-Level full extension telescopic rails, Stainless steel HZ638300



### Features

#### Technical Data

Dimensions of the packed product (HxWxD) : 90 x 310 x 415

Pallet dimensions : 95.0 x 80.0 x 120.0

Standard number of units per pallet : 48

Net weight : 2.7

Gross weight : 3.1

EAN code : 4242003673577



4 242003 673577