

**iQ300, Free-standing
fridge-freezer with freezer at
bottom, 203 x 70 cm, Brushed
steel anti-fingerprint
KG49NXIDF**



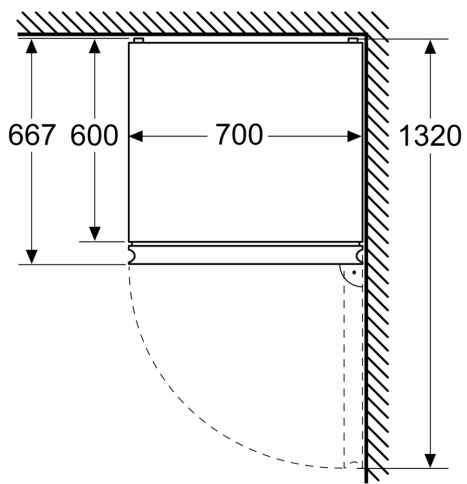
- ✓ hyperFresh <0°> – More space for fruit and vegetables. Dedicated storage for fish and meat.
- ✓ noFrost – Never defrost your freezer again.
- ✓ High-gloss backwall with multiAirflow – Evenly chilled food and drinks on all levels.
- ✓ superCooling: faster cooling for fresh food.
- ✓ bottleRack – Store your bottles safely and within easy reach.

Energy Efficiency Class:	D
Average annual energy consumption in kilowatt hour per year (kWh/a):	223 kWh/annum
Sum of volume of frozen compartments:	129 l
Sum of volume of chill compartments:	311 l
Airborne acoustical noise emissions :	35 dB(A) re 1pW
Airborne acoustical noise emission class:	B
Built-in / Free-standing:	Freestanding
Door panel options:	Not possible
Height:	2030 mm
Width of the appliance:	700 mm
Dimensions:	667 mm
Weight:	79.1 kg
Fuse protection:	10 A
Door opening:	Right reversible
Nominal power:	220-240 V
Frequency:	50 Hz
Length electrical supply cord:	231.0 cm
Number of compressors:	1
Number of independent cooling systems:	2
Interior ventilator:	No
Reversible Door Hinge:	Yes
Number of Adjustable Shelves in fridge compartment:	3
Shelves for Bottles:	Yes
Frost free system:	Fridge and freezer
Installation type:	Freestanding

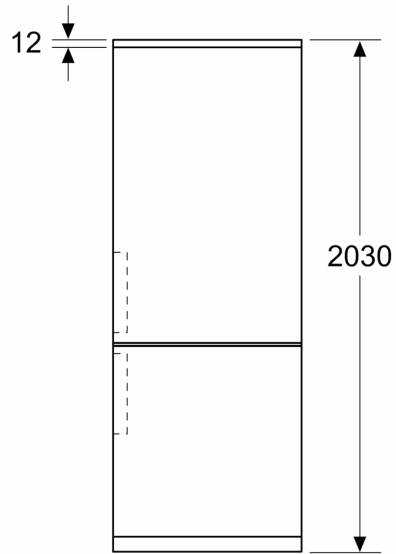


**iQ300, Free-standing
fridge-freezer with freezer at
bottom, 203 x 70 cm, Brushed
steel anti-fingerprint
KG49NXIDF**

Measurements in mm



Measurements in mm



Measurements in mm

