

## iQ500, Integrated Design Hood, 60 cm, clear glass black printed LJ67BAM60B

B



Seamlessly integrated design hood for maximum use of storage space in your cupboards.

- ✓ Intensive setting revert - Peak performance when steam escapes, and an automatic revert after a few minutes.
- ✓ Storage space - Store up to 10 kg on each side of the hood.
- ✓ touchControl Plus - Easy control of the program settings and light functions.
- ✓ LED lights: for optimal visibility and ambience while cooking.

### Features

#### Technical Data

Typology : Built-in/Built-under  
 Approval certificates : CE, E17D UKCA marking, VDE  
 Length of electrical supply cord : 130 cm  
 Required niche size for installation (HxWxD) : 340mm x 560.0mm x 300mm mm  
 Height of product, without chimney : 60 mm  
 Minimum distance above an electric hob : 430 mm  
 Minimum distance above a gas hob : 650 mm  
 Net weight : 9.4 kg  
 Type of control : Electronic  
 Maximum output air extraction : 460 m<sup>3</sup>/h  
 Boost position output recirculating : 652 m<sup>3</sup>/h  
 Maximum output recirculating air : 451 m<sup>3</sup>/h  
 Boost position air extraction : 749 m<sup>3</sup>/h  
 Number of lights (Stck) : 2  
 Noise level : 63 dB(A) re 1 pW  
 Diameter of air outlet : 120 / 150 mm  
 Grease filter material : Washable stainless steel  
 EAN code : 4242003906361  
 Connection rating : 256 W  
 Voltage : 220-240 V  
 Frequency : 50 Hz  
 Plug type : GB plug  
 Installation type : Built-in

### Optional accessories

- |          |  |
|----------|--|
| LZ11XC16 | Clean Air Plus recirc. kit external      |
| LZ11XB16 | Clean Air Plus odor filter (replacement) |
| LZ11TD11 | Long Life recirculation kit external     |



## iQ500, Integrated Design Hood, 60 cm, clear glass black printed LJ67BAM60B

### Features

#### Variant

- 60 cm wide
- Installation: Cupboard 60 cm
- Suitable for ducted and re-circulating operation
- For recirculated extraction various recirculation kits are available as optional accessories.

#### Design

- Flush-fitted installation for a seamless integration in wall cupboards.
- Space efficient compact design for extra storage possibilities on the hood, up to max. 10 kg storage weight per side.
- Glass panel with touch control for an easy operation and enhanced vapor capture.
- Extraction and lighting are automatically turned on and off by opening and closing the glass panel.
- Lighting can also be turned on and off when the glass panel is closed by quick hand touch on control panel.
- Includes mats for hood storage areas, protection against scratches and to help prevent items moving in this space.

#### Features

- Electronic control via touchControl
- 3 x power levels plus intensive setting
- softLight with dimmer function
- 2 x 2 W LED lights
- Colour Temperature: 3500 K
- Light Intensity: 451 lux
- Automatic intensive revert
- Automatic intensive revert (6mins)
- Steel filter cover
- 2 x metal grease filter cassettes
- Easy to clean smooth surfaces and materials.

#### Performance

- Extraction rate according to EN 61591 ø 15 cm:
- max. Normal use: 460 m<sup>3</sup>/h
- Intensive: 749 m<sup>3</sup>/h
- Noise level according to EN 60704-3 and EN 60704-2-13 exhaust air:
- Max. normal use: 63 dB(A) re 1 pW
- Intensive: 73 dB(A) re 1 pW
- Noise max. Normal Level: Noise, max. speed in normal use: 63 dB dB\*
- With the Clean Air Plus recirculation kit (available as optional accessory) your appliances reaches:
- Extraction rate in recirculation mode: Max. normal use: 451 m<sup>3</sup>/h
- Intensive: 652 m<sup>3</sup>/h
- Noise level in recirculation mode: Max. normal use: 67 dB(A) re 1 pW
- Intensive: 74 dB(A) re 1 pW

#### Planning and installation information

- Installation system: IDH comfort installation
- Suitable for installation in bottomless wall cupboards.
- Enclosed spacers for installation in wall cupboards with maximum depth of up to 360 mm.
- For installation in higher wall cupboards chimney extensions are available as optional accessories.

- Chimney extensions are compatible with the available recirculation kits.
- Dimensions (HxWxD): 340 x 597 x 298 mm
- Built-in dimensions (HxWxD): 340 x 560 x 300 mm
- Diameter pipe Ø 150 mm (Ø 120 mm enclosed)
- Back-pressure flap: Yes
- Electrical cable length 1.3 m
- Please reference the built-in dimensions provided in the installation drawings

#### Consumption Data

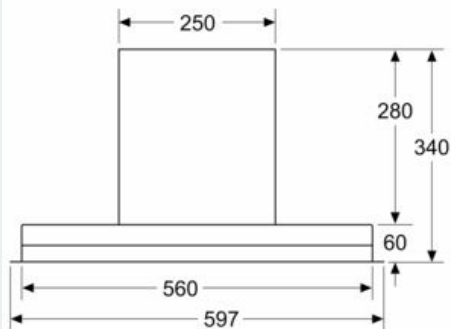
- Energy Efficiency Class: B (at a range of energy efficiency classes from A+++ to D)
- Average Energy Consumption: 62.7 kWh/year\*
- Blower Efficiency Class: B\*
- Lighting Efficiency Class: A\*
- Grease Filtering Efficiency Class: B\*
- Power rating: 256 W

\* In accordance with the EU-Regulation No 65/2014

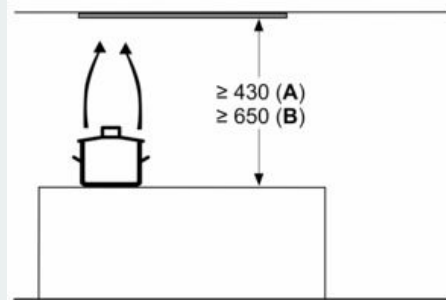
iQ500, Integrated Design Hood, 60 cm,  
clear glass black printed  
LJ67BAM60B

Dimensioned drawings

measurements in mm  
Front view

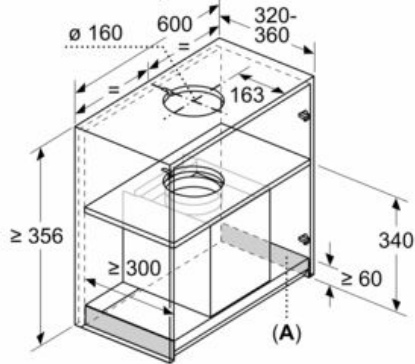


measurements in mm



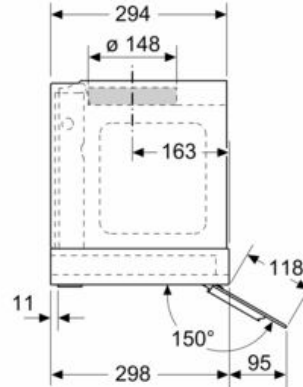
from upper edge of pan support  
**A:** min. 430 electric  
**B:** min. 650 gas

measurements in mm  
Installation example

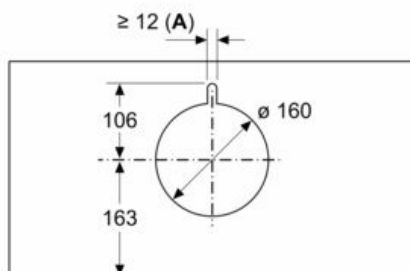


**A:** Area without hinges

measurements in mm  
side view



measurements in mm



**A:** Cable bushing