

Product Finish: Scandi Grey

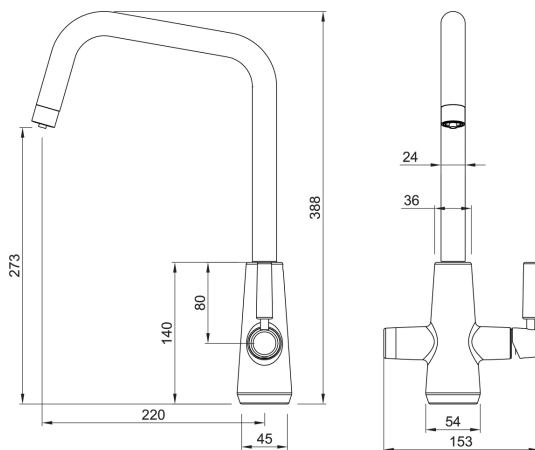
Product code: PT1045  
EAN13 barcode: 5060879992856



### Product features:

- Stylish 4 way mixer tap delivering domestic hot and cold, ambient and 80-98° filtered water.
- Supplied with 2 x patent pending proximity Hotkey™ activation for 80-98° water, without the Hotkey™ the product reverts to a family safe 3 way mixer.
- 360° rotating thermally insulated spout
- Ceramic disc ¼ turn smooth action control valves
- Hands free dispensing of 80-98° water possible for heavy pans
- Anti splash aerator as standard

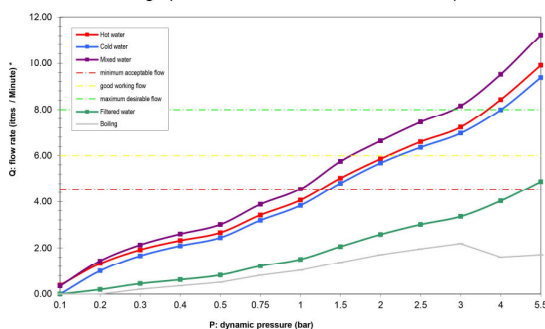
### Product dimensions:



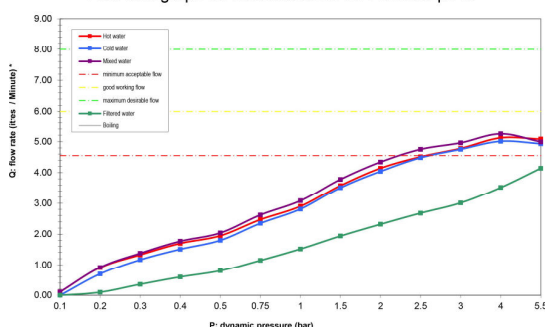
- **Overall Height / projection:** 388 mm
- **Exit reach:** 220 mm
- **Exit height:** 273 mm
- **Centre distance(s):** n/a
- **Base diameter(s):** 45 mm
- **Recommended hole diameter:** Ø35 mm
- **Max. surface depth:** 50 mm
- **Spout diameter:** 24 mm
- **Spout aerator size:** M22x1 Male

### Product flow characteristics:

Flow rate graph for model: scandi 4in1 Not Limited pb4e



Flow rate graph for model: scandi 4in1 Limited pb4e



- **Min/Max water pressure:** 1.00 / 5.5 bar (mixertap only)
- **Min/Max water pressure (Flow Limited):** 2.3 / 5.5 bar (mixertap only)
- **Recommended / Max incoming domestic hot water temp:** 46°C / 70°C
- **Part G - Mixed flow rate at 3 bar (litres / min):** 8.10
- **Part G - (Flow Limited) Mixed flow rate at 3 bar (litres / min):** 4.96
- **Control valve type:** 1 x Ceramic disc S/L (Dom hot/cold), 1 x click valve (Filtered)
- **Product flow characteristics:** (C,H&F/Boiling) dual flow
- **Aerator type:** Neoperl aerator honeycomb dual flow
- **Hot and Cold inlet connections:** ½" flexi hose
- **Non return valve(s):** Yes, integral to cold supply



#### PROBOIL.4E features:

- Controllable tank temperature range from 75°C (holiday/eco mode) to 85,90,95,96, 97, 98°C using the touch screen controls.
- 4 Litre capacity tank, apx. 9 minutes reboil after use
- On screen filter life / replacement indicator
- Intelligent self-diagnostic control
- No external drain connection needed for a simplified and more flexible installation
- Flow limited to 2 litres/min to limit splashing and ensure a smooth flow
- Tool free, hand tight connectors to speed up installation, maintenance and descaling
- Compact size 20.6x25.6x29.1cm (excludes connections)
- 2 Year Warranty\*
- WRAS approval pending

\*All temperatures quoted are measured within the tank of the boiler and actual spout exit temperature may vary dependant on local conditions.

For further information refer to [proboil.co.uk](http://proboil.co.uk) and our user guides.



Our premium quality **PROBOIL** filter offers the following benefits:

- Filtered ambient and 80-98°C drinking water, engineered specifically for hot and ambient water applications
- Included with every **PROBOIL** system
- 6 month life (based on 19 degrees Clark (London average hardness) and 5 litres per day usage)
- Free filter cartridge recycle scheme
- Superfine 5 micron carbon block filtration
- Chlorine taste and odour reduction.
- pH balanced delivery
- Adjustable hardness settings allows optimised filter life and boiler scale protection in both hard and soft water areas
- Inbuilt corrosion protection
- Mineral adaption and scale reduction for protection
- Simple quarter turn bayonet installation
- Automated on screen life reminder



#### The complete package:

Each **PRONTEAU** system includes:

- A stylish choice of intelligent 4 way **PRONTEAU** mixer taps
- 2 x 4 way mixer tap Hotkeys
- **PROBOIL.4E** hot water boiler
- **PROBOIL** advanced scale control filter
- Comprehensive user and installation guide
- Nationwide professional maintenance and service support

#### Care instructions summary:

- Clean the product regularly as required, using a mild soap and damp cloth, do not use any other cleaners, regular cleaning will prevent the build-up of lime scale and dirt.
- Residues of sink & worktop cleaners can also cause damage to the mixer tap, so rinse with clean water after using, avoid contact with any abrasives.
- Proboil4e requires periodic filter change and descaling, see user guide for detail.

#### Warranty Summary (Full details available on request):

- Mixer tap Materials and workmanship defects warranted for 5 years
- Proboil4e Materials and workmanship defects warranted for 2 years
- Mixer tap valves and working parts warranted for 5 years
- Surface finish warranty defects warranted for 1 year
- All O-rings, hoses & gaskets warranted for 1 year