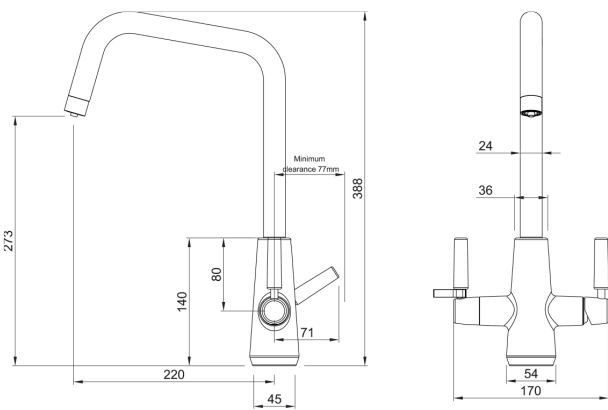




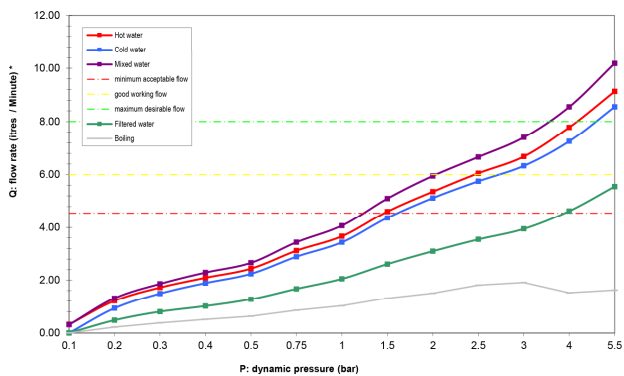
PRONTEAU tap features:

- 4 in 1 tap delivering, domestic hot and cold, ambient (cold) filtered and 98°C (variable) filtered water
- The dual stage handle mechanism on the hot handle has been designed with safety and ease of use in mind
- 360 degree rotation of spout allows for easy use and accessibility
- Metal construction throughout
- Scale inhibiting filter cartridge included
- 5 Year Warranty*
- WRAS approval pending

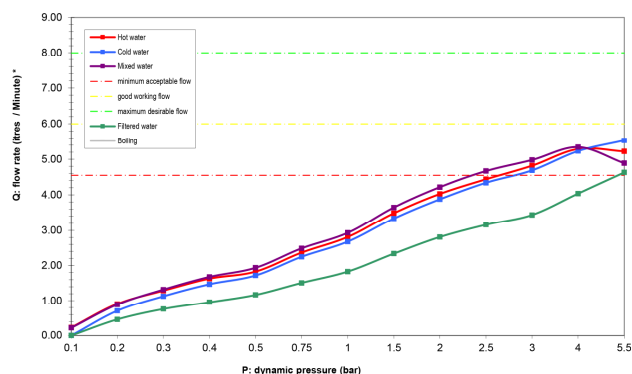


- **Overall Height / projection:** 388 mm
- **Exit spout reach:** 220 mm
- **Exit spout height:** 273 mm
- **Base diameter(s):** 45 mm
- **Recommended hole diameter:** Ø35 mm
- **Max. surface installation depth:** 50 mm
- 76mm from centre of tap hole to wall/backplash behind wall (Handles rotate backwards 45°)

Flow rate graph for model: Scandi-X 4in1 - Not limited



Flow rate graph for model: Scandi-x 4in1 Limited



PRONTEAU flow information and connectivity:

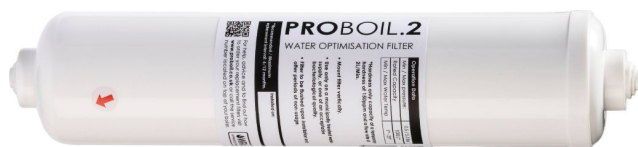
- **Min Cold operating pressure:** 1.5 bar
- **Min Cot operating pressure (Flow Limited):** 2.5 bar
- **Min Hot operating pressure:** 1.50 bar
- **Min Hot operating pressure (Flow Limited):** 2.5 bar
- **Recommended / Maximum (domestic) hot water temperature:** 46°C / 60°C
- **Part G - Mixed flow rate at 3 bar (litres/min):** 7.50 (Flow Limited) Mixed flow rate at 3 bar (litres/min): 4.98
- **Control valve type:** 1 x Single lever 25mm, 1 x two way ceramic diverter
- **Product flow characteristics:** (H&C&F/Boiling) dual flow
- **Hot and Cold inlets:** Flexible hose connections supplied
- **Non return valve(s):** Yes, integral to cold inlet flexi hose only



PROBOIL.2X features:

- Controllable tank temperature range from 75°C (holiday/eco mode) to 85,90,95,96, 97, 98°C using the touch screen controls.
- 2.1 Litre capacity tank, apx. 7 minutes reboil after use
- On screen filter life / replacement indicator
- Intelligent self-diagnostic control
- No external drain connection needed for a simplified and more flexible installation
- Flow limited to 2 litres/min to limit splashing and ensure a smooth flow
- Tool free, hand tight connectors to speed up installation, maintenance and descaling
- Compact size 22x22x28cm
- 2 Year Warranty*
- WRAS approved

All temperatures quoted are measured within the tank of the boiler and actual spout exit temperature may vary dependant on local conditions and tap model.



PROBOIL.2 filter features:

- Filtered 98°C drinking water, engineered specifically for hot water applications
- Included with every PROBOIL.2X system
- Recommended replacement interval 6 months
- Chlorine taste and odour reduction
- Scale reduction for better drinks and tank protection
- WRAS approved



The complete package:

Each PRONTEAU system includes:

- A stylish choice of PRONTEAU mixer taps
- PROBOIL.2X hot water boiler
- PROBOIL.2 scale control filter & assembly
- Comprehensive user and installation guide
- Nationwide professional maintenance and service support

Care instructions and Warranty Summary*

- Clean the tap regularly as required, using a mild soap and damp cloth, do not use any other cleaners, regular cleaning will prevent the build-up of lime scale and dirt
- Maintain the heater according to the user guide, for example replace filter and descale when required.

- Mixertap materials and workmanship defects warranted for 5 years
- Proboil2X materials and workmanship defects warranted for 2 years
- Mixertap valves and working parts warranted for 5 years
- Surface finish warranty defects warranted for 1 year
- All o-rings, hoses & gaskets warranted for 1 year